



Cerberus®

Vibration detector

ES400

-
- High sensitivity
 - Effective on a wide variety of materials
 - High immunity to environmental disturbances
 - Microprocessor-assisted signal evaluation
 - Adjustable sensitivity
 - Supply voltage monitoring
 - Low current consumption
 - Ease of installation



Fire & Security Products

Siemens Building Technologies Group

Application

The vibration detector is used on windows, doors, walls, ceilings and floors for early detection of burglary attempts. For enhanced detection reliability, the vibration detector can be used in combination with glass-break detectors and magnet contacts.

Operation

The vibration detector incorporates a piezoelectric sensor which reacts only to high-frequency structure-borne vibrations or to single, powerful impacts. Any signals detected are reliably and safely analyzed by means of a microprocessor triggering an alarm.

Sensitivity can be selected on a potentiometer, and the counter channel can be programmed for 1 to 4 impacts.

The vibration detector incorporates a first and subsequent alarm memory.

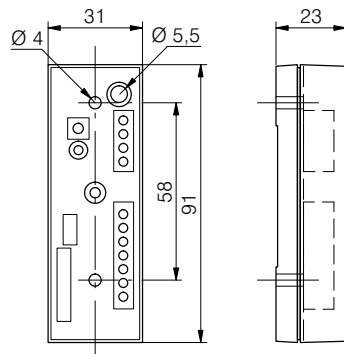
The LED/resetting can be remotely controlled via the DAY/NIGHT function. Moreover, there is a choice between automatic reset and reset by interruption of the operating voltage. The detector features supply voltage monitoring which will trigger an alarm at <7V. The tamper contact provides protection against opening the cover. The alarm relay is protected against external magnetic fields.

Installation

The vibration detector is screwed onto the surface to be monitored, for example, on window frames, brick or concrete walls, or metal doors. The coverage area varies with the type of material. For performance and installation checks, use the EST300 test tool.



Dimensions



Technical data

Supply voltage (nom. 12V)	8...15Vdc
- Max. ripple (0...1MHz)	2Vss
Current consumption	
- at 12Vdc/quiescent	6mA
- at alarm	10mA
Frequency range	1...7kHz
Alarm output	
- Electronic relay	33Ω in series
- Contact rating	25Vdc/100mA
- Alarm hold time	2s
- Alarm memory/Test indicator	LED
Tamper monitoring	Microswitch
- Cover contact	25Vdc/100mA
Control inputs	
- For testing	LOW <3V/HIGH >6V
- For unset/set input	LOW <3V/HIGH >6V
Coverage area (approximate values)	
- Steel/Wood/Plywood	Radius 3m
- Brick/Paving stone	Radius 2m
- Concrete	Radius 1m
Sensitivity	Adjustable on potentiometer
Pulse counter	1...4 impacts selectable
Ambient conditions	
- Storage temperature	-20° C...+50° C
- Operating temperature	-20° C...+50° C
- Humidity of the air, DIN 40040	Class F (max. 95% rel.)
- IEC 529 housing protection	IP31
- Immunity to HF interference fields (0.1MHz...1GHz)	<15V/m
VdS approval, class B	G 197538

Details for ordering

Type	Part no	Designation	Weight
ES400	537049	Vibration detector, white	0.045kg
EST300	472612	Test tool	0.080kg



© Siemens Building Technologies AG
Subject to change



For all Sales and Technical enquiries regarding this product, please contact Alarmcorp on:

Tel: 1300 894 088

Fax: 1300 094 707

Email: sales@alarmcorp.com.au

Web: www.alarmcorp.com.au

Melbourne Branch: Unit 115, 45 Gilby Road, Mt Waverley VIC 3149

Sydney Branch: Unit H2, 101 Rookwood Road, Yagoona NSW 2199

For the latest contact information, please visit:

<http://www.alarmcorp.com.au/contact-us/contact-us>

ALARMCORP. THE FUTURE IS SECURE.