



External Passive Infrared Detector IS390 & IS390H



- 24m (30m IS390H) volumetric wide angle beam
- ATD adaptive threshold discrimination for low nuisance alarm rate
- Comprehensive protection concept against all extraneous influences
- True temperature compensation and heating (IS390H)
- Continuous function surveillance
- Detection of intruders at crawling, walking and running speeds

Description

■ Versatile in application

The IS390 volumetric detector is designed to monitor the inside of a perimeter.

The IS390 is suitable for most outdoor environments and the IS390H version works in the harshest of environments. The integral mounting bracket allows for alignment of the detector in any position. The internal switches allow for a quick and simple setup, while the configuration software allows for more complex configurations. This version of an external passive infrared detector, incorporate a pyroelectric differential, single channel optic for determining the detection. A selection of installation and commissioning accessories are available to assist with the final configuration and ongoing maintenance of the detector.

■ Effective

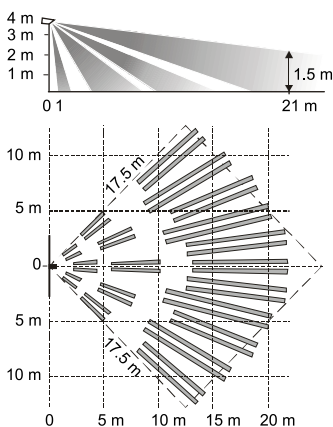
Both types of detectors can be used in standalone manned intrusion systems or as part of a sophisticated video surveillance system. Applications include fenced or restrictd areas like army camps, detention centre, government facilities, industrial sites and private premises.

■ Highly professional

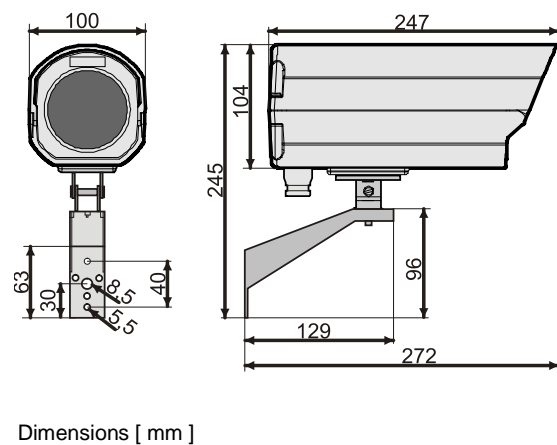
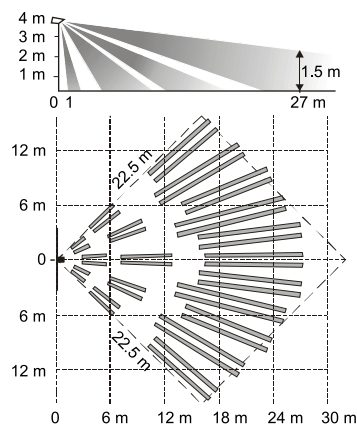
Uniform high sensitivity is achieved through the special focused mirror optics and the micro-processor-controlled signal analysis. Adaptive alarm threshold decoding for feedback of ambient conditions and true temperature compensation ensure reliable detection. This comprehensive protection concept gives the dtector outstanding immunity against environmental infulences such as temperature fluctuations, rain , snow, electromagnetic fileds and dazzling lights.

■ Coverage areas and dimensions

IS390



IS390H



■ Technical Specifications

| | IS390 | IS390H |
|---|---|------------------------------|
| Detection characteristics / Range | Wide angle 24m (w) x 21m (d) | Wide angle 30m (w) x 27m (d) |
| Optics | Pyroelectric, differential single channel | |
| ATD Adaptive threshold discrimination | Activated / deactivated | |
| Supply voltage, auto sensing | 10.5...30 V DC / 24 V +/-15% AC | |
| Power consumption (at DC 12 V), quiescent | 18 mA | |
| Heating | N/A | max. 2 W at - 40 °C |
| Detection speed | 0.2...5 s | |
| Alarm hold time | 2...3 s | |
| Alarm Indication internal | Red LED | |
| Transistor output | Open collector NPN, 30 V DC, max. 50 mA | |
| Tamper output (cover switch & alignment) | 30 V DC / 100 mA | |
| Control input: Walk test; Unset/Set | LOW ≤ 1.5 V DC / HIGH ≥ 3.5 V DC | |
| Mounting height | 2.5...4.0 m | |
| Mounting | Wall mounting bracket included, pole bracket optional | |
| Cable Access | 2 x 4...7 mm cable glands | |
| Cable termination | Screw terminals via plug-in connector | |
| Sensitivity adjustment (as % of standard) | | |
| - via DIL switches | 40 / 70 / 100% | |
| - via software | 20...140% | |
| Operating temperature | - 20...+ 60 °C | - 40...+ 60 °C |
| Storage temperature | - 20...+ 60 °C | - 20...+ 60 °C |
| Air humidity | < 95 % RH, non-condensing | |
| Housing protection (EN 60529) | IP64 | IP65 |
| Anti Vandal Function | Activated / deactivated | |

Options

| | | |
|----------|------------------|----------------------------------|
| ISIF485B | A5Q00026219 | Installation module and software |
| ISWT-PRO | S54533-Z112-A100 | Cordless installation tester |
| ISMD41-3 | A5Q00026220 | Pole mount hardware |
| ISTC41 | BPZ:4455260001 | Telescope |



ISTC41



ISWT-PRO



ISIF485B

Ordering Information

| Type | Art.-No. | Description | Weight |
|----------|------------------|---|--------|
| IS390 | BPZ:5398270001 | External passive infrared, wide angle | 900 g |
| IS390H | A5Q00005094 | External passive infrared wide angle, with heater | 900 g |
| ISIF485B | A5Q00026219 | Installation software & module | 400 g |
| ISWT-PRO | S54533-Z112-A100 | Cordless installation tester | 175 g |
| ISMD41-3 | A5Q00026220 | Pole mount adapter hardware | 160 g |
| ISCT41 | BPZ:4455260001 | Telescope | 320 g |

The information in this document includes general descriptions of the technical possibilities, which need not be installed in each individual case. The desired performance characteristics must therefore be specified for the individual case when the contract is concluded.

© Siemens Building Technologies • Edition: 26.09.2014