



IS433 / IS434 / IS435

Photoelectric infrared beams

with quad beams for internal and external applications



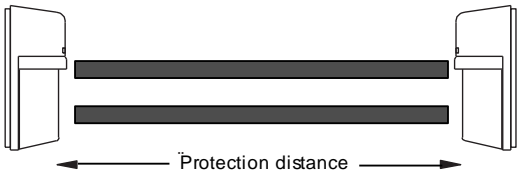
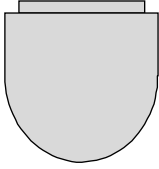
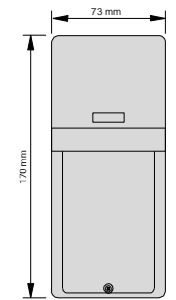
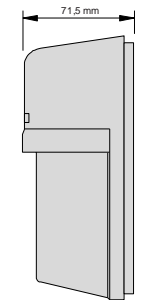
- External perimeter protection from 20 m to 60 m
- Internal protection from 40m to 120m
- Synchronised and sophisticated quad beams serve to reinforce the range and stability in harsh environments and severe weather conditions
- Automatic gain control
- 4 separate choices of frequencies
- Selectable beam transmission strength

Approved detection performance. The 4 infrared beams work in an AND-function, which guarantees immunity from falling leaves and small animals. Strong active infrared transmission with a ten times greater infrared power than for the specified maximum distance. Special housing design ensures reliable operation when there is frost or dew.

Automatic gain control. The sensitivity is automatically increased in severe weather conditions to contend with fog, heavy rain, frost or snow.

Highest false alarm immunity. Special light compensation circuit for excellent immunity against sun, car, fluorescent or mercury lights.

Environmental module. Notification via a relay output when the received beam signal level reaches an unacceptable level.

Coverage areas		Dimensions													
 <table border="1" data-bbox="239 828 446 907"> <thead> <tr> <th>Type</th> <th>Outdoor</th> <th>Indoor</th> </tr> </thead> <tbody> <tr> <td>IS433</td> <td>20 m</td> <td>40 m</td> </tr> <tr> <td>IS434</td> <td>40 m</td> <td>80 m</td> </tr> <tr> <td>IS435</td> <td>60 m</td> <td>120 m</td> </tr> </tbody> </table>	Type	Outdoor	Indoor	IS433	20 m	40 m	IS434	40 m	80 m	IS435	60 m	120 m			
Type	Outdoor	Indoor													
IS433	20 m	40 m													
IS434	40 m	80 m													
IS435	60 m	120 m													

■ Technical Data

Type	IS433	IS434	IS435
Detection system	Simultaneous breaking of 4 beams		
Infrared beam	Double modulation pulsed beam by LED		
Protection distance			
- External	< 20 m	< 40 m	< 60 m
- Internal	< 40 m	< 80m	< 120m
Response time	50 ms ... 700 ms variable (Standard: 50 ms)		
Power supply	12 VDC ... 30 VDC (non-polarity)		
Current consumption	55 mA	75 mA	80 mA
Alarm output			
- Relay (change over contact)		30 VAC/DC 1 A	
- Alarm hold time		approx. 1.5 s	
Indications			
- Alarm (Receiver)		Red LED	
- Sensitivity attenuation (Receiver)		Red LED	
Tamper output			
- Cover contact (opens on tamper)		30 VAC/DC 0.1 A	
Functions	Modulated beam frequency selection, tone indicator, environmental module, alarm memory indication, programmed AGC, auto-gain lock function, monitor jack		
Beam adjustment	Horizontal: $\pm 90^\circ$ C, Vertical $\pm 10^\circ$ C		
Environmental conditions	- 25° C ... + 60° C		
Mounting location	Outdoor		
Mounting position	Wall, tower or 45mm diameter pole (clamps supplied)		
Housing protection (EN 60529, EN 50102)	IP55		

■ **Ordering
Information**

Type	Part No.	Description	Weight
IS433	BPZ:5299760001	Photoelectric beam sensor (20 m)	0.780 kg
IS434	BPZ:5299630001	Photoelectric beam sensor (40 m)	0.780 kg
IS435	BPZ:5299050001	Photoelectric beam sensor (60 m)	0.780 kg

Options

Beam Towers

A selection of free standing and wall mounted beam towers, which are used to disguise the mounting height of the beam(s) and to increase the IP rating of the beams. Each tower is supplied with an anti-tamper lid and the free standing towers are supplied with support brackets.

Heaters

These are required for cold environments, where the build-up of frost and/or snow is likely. The heaters can be mounted within the detectors or the beam towers.

Pole Covers

The covers provide additional ingress protection to the beams when they are pole mounted.

■ Technical Specifications

Type	Part No.	Description	Weight
MB200	S54539-Z281-A100	Free standing beam tower 180°, 2.0m	10.55 kg
MB200W	S54539-Z282-A100	Free standing beam Tower 180°, 1.5m	9.00 kg
MB150	S54539-Z110-A100	Free standing beam Tower 180°, 1.5m	2.500 kg
PB-H	SE2:PB-H	Heater (2 pieces./set) 24 VDC ; 300 mA for each heating element	0.082 kg
BP-60TE	BPZ:5386240001	Pole cover (2 pieces./set)	0.300 kg

The information in this document includes general descriptions of the technical possibilities, which need not be installed in each individual case. The desired performance characteristics must therefore be specified for the individual case when the contract is concluded.

© Siemens Building Technologies • Edition: 03.10.2014