



Benefits

- Monitoring of multiple local and remote device networks
- Receive real-time prioritized indication of all alarms and faults in the full graphical context of your infrastructure
- Commission, test, investigate and manage all devices on large and complex networks

Features

- Full VESDA and ICAM system control
- Comprehensive event management
- Drill down floor plans
- Event response notification by email¹ and SMS² to defined users on defined events
- Maintenance information and system optimization
- Comprehensive configuration and commissioning of all Xtralis devices
- Fully integrated floor plan design tools, compatible with most drawing formats
- Remote management over multiple network types
- Real-time graphical event indicators
- Powerful event log filtering
- Event log archiving for future interrogation
- Extensive reporting capabilities
- Multiple monitor support
- Multi-language support
- Customizable software views
- Individual user accounts integrated with system access roles
- Supports text-to-speech in multiple languages

The Xtralis Smoke and Gas System Management Center

Xtralis VSM4 provides full and comprehensive integration of your VESDA and ICAM smoke and gas detection systems.

VSM4 configures, monitors and trouble-shoots your Xtralis systems.

It is easy-to-use and has been designed to provide you, the operator, with complete control. The user-friendly interface allows you to quickly assess and respond to system events - all from one convenient location. VSM4 is a total solution for integrated control and monitoring of your Very Early Warning Xtralis smoke and gas detection systems.

The Picture Tells the Story – in Real Time

VSM4 provides a central and integrated platform for Xtralis systems.

VSM4 provides the ability to monitor multiple remote sites with full control and programming functionality.

VSM4 integrates the enormous amounts of information provided by your Xtralis systems. At a glance VSM4's interface can show you:

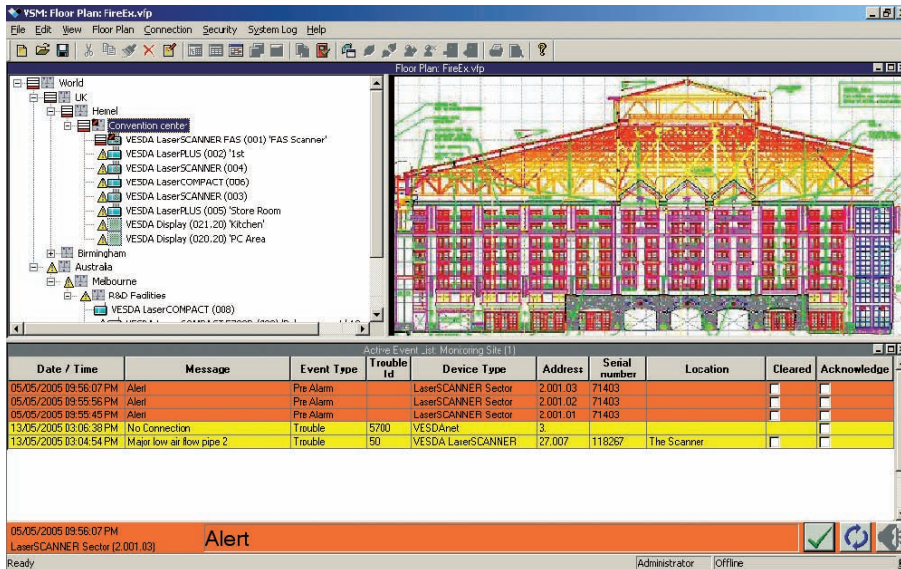
- A color-coded real-time event list, prioritized according to urgency
- Graphical representations of smoke and gas levels
- Trending analysis so that you can compare smoke and gas levels across the system
- Exact details about the location, zone and devices involved in an event
- Smart, user-friendly operator controls that leave you in complete control

Powerful Configuration Capabilities in One Tool

VSM4 includes all the sophisticated network and device configuration capabilities of Xtralis VSC software. It also includes all of VSC's system commissioning and testing functionality. VSM4's offline configuration function allows you to create an off-line configuration at your convenience and later connect and configure the system when on-site.

VSM4 automatically discovers devices on your network and all the configuration management functionality is available and is easily set up from a single location.

Seize absolute control of your network with VSM4



Event Response Notification

Xtralis VSM4 provides event response notification via email¹ and SMS². This means you don't have to be with your monitoring system to receive immediate and up-to-date information about your system's operational status.

You specify the criteria for event notification by defining the conditions under which a notification is generated (based on the event type and the location) and the users to be notified. You also configure the conditions (day and time) for contacting a user. Users can be assigned to groups (for example, the night shift group), which allows you to generate group-based notifications.

Multiple Monitors

VSM4 supports multiple monitors. With the click of a button you can open a view in a new window and use simple drag and drop functionality to shift the view to another monitor. By partitioning views between monitors, you have greater control over what you see at any particular time. For example, you can have your active event list maximized on one monitor and your site floor plans maximized on another.

Total User Management

With VSM4 software you can set up multiple user accounts and individually assign an access level and password to each user. This means you have total control over the types of operations your users perform. For auditing purposes, user actions are recorded in a system log and presented in an integrated view.

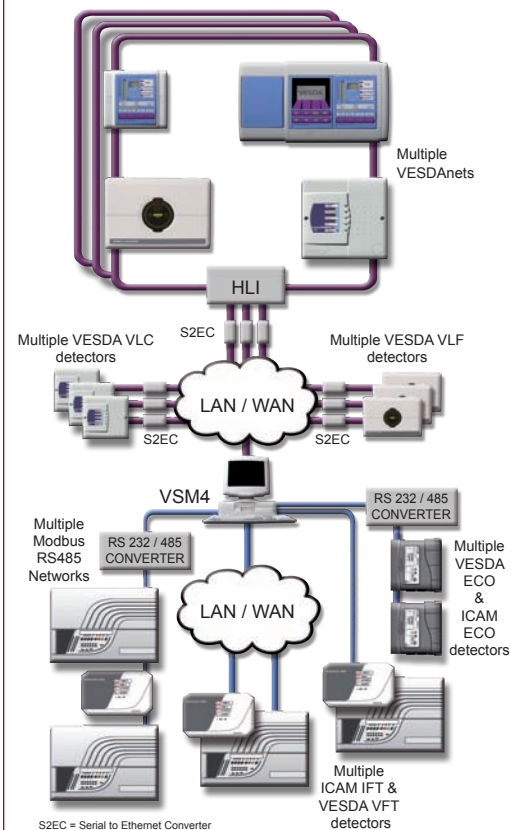
Event Log Database³

VSM4 provides total event integration, consolidation and archiving across multiple connections. All system, network and device events can be stored in a database.

VSM4 Speaks Many Languages

VSM4 allows you to operate your system in your local language and then send files to be viewed by someone else using VSM4 in a different language. You can even have spoken announcements of events⁴ in your local language.

1. Email is available via Remote Notification, which is an optional feature.
 2. SMS notification is achieved via a wireless modem connected to a PC running VSM4. Remote Notification (optional feature) is required to enable SMS notification.
 3. VESDA devices, VESDA ECO and ICAM ECO detectors only.
 4. Text2Speech is an optional feature.



- VSM4 provides local or remote connection to:
- Multiple individual VESDA VLF, VLC-RO, VFT and ICAM IFT detectors
 - Multiple VESDAnets via High Level Interface (HLI)
 - Multiple VESDA devices on each VESDAnet
 - Multiple Modbus RS485 Networks
 - Multiple ICAM IFT or VESDA VFT detectors on each Modbus RS485 Network
 - Multiple individual ICAM IFT or VESDA VFT detectors via TCP/IP
 - Multiple VESDA ECO and ICAM ECO detectors on Modbus 485 networks
 - Multiple standalone VESDA ECO and ICAM ECO detectors via Modbus over USB

Computer requirements

OS	Microsoft Windows 7, Windows Vista®, Windows XP or Windows 2000
Processor	Minimum: 1GHz 32-bit (x64) or 64-bit (x86)
Memory	Preferred: 2GB Minimum: 1GB
Hard Disk	1 by 80 GB system Disk, or 2 by 80 GB connected to Raid Storage
Display	Preferred: Dual Monitor, Graphics Card with 256 MB memory Minimum: Single Monitor, Graphics Card with 128 MB memory
Network	Preferred: 100 Mbit/s Minimum: 10 Mbit/s
Peripherals	DVD-ROM drive

www.xtralis.com

The Americas +1 781 740 2223 Asia +852 2916 8894 Australia and New Zealand +61 3 9936 7000
 Continental Europe +32 56 24 19 51 UK and the Middle East +44 1442 242 330

The contents of this document are provided on an "as is" basis. No representation or warranty (either express or implied) is made as to the completeness, accuracy or reliability of the contents of this document. The manufacturer reserves the right to change designs or specifications without obligation and without further notice. Except as otherwise provided, all warranties, express or implied, including without limitation any implied warranties of merchantability and fitness for a particular purpose are expressly excluded.

This document includes registered and unregistered trademarks. All trademarks displayed are the trademarks of their respective owners. Your use of this document does not constitute or create a licence or any other right to use the name and/or trademark and/or label. This document is subject to copyright owned by Xtralis AG ("Xtralis"). You agree not to copy, communicate to the public, adapt, distribute, transfer, sell, modify or publish any contents of this document without the express prior written consent of Xtralis.